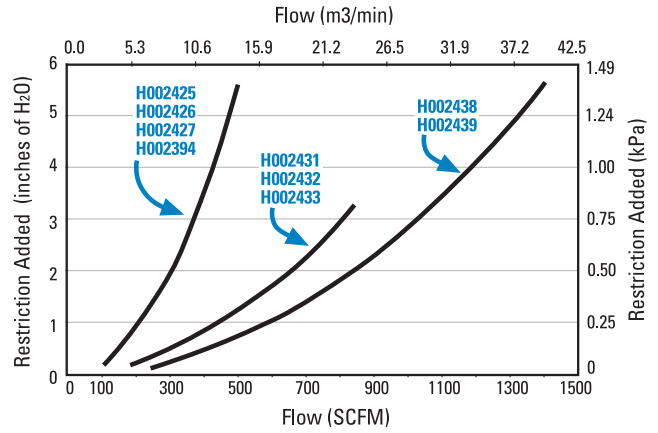
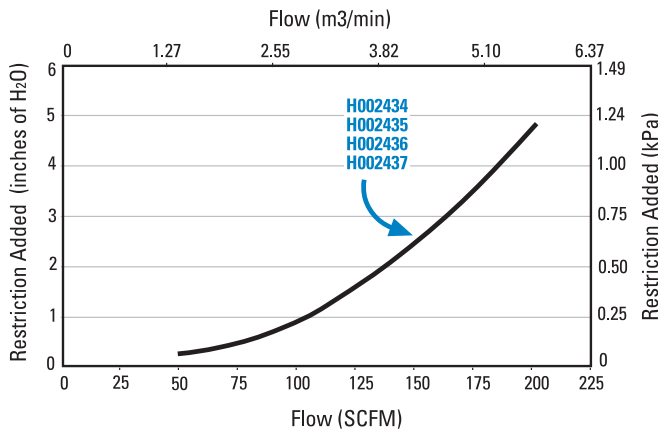


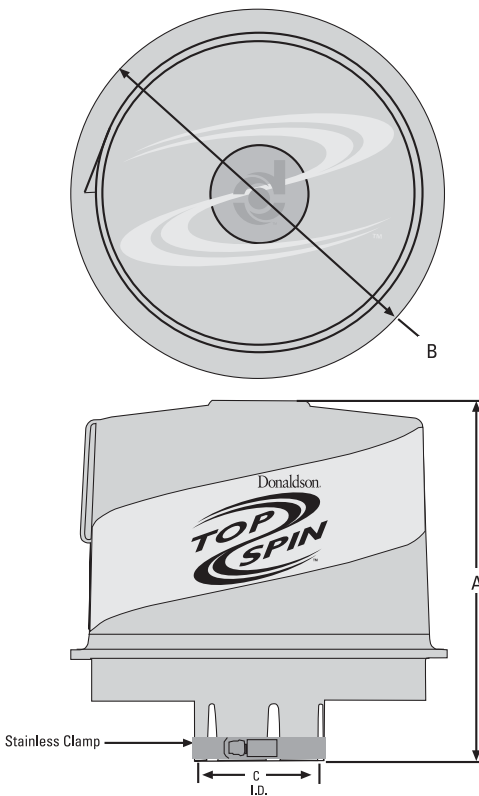
Performance Curves

Test conducted per ISO 5011/SAE J726. Performance test results are an average from testing several units.



Dimensional Specifications

Donaldson TopSpin can be mounted horizontally or vertically. Installation instructions, stainless clamp and warranty are included. Operating temperature range: -40°F to 180°F (-40°C to 82°C)



TopSpin Pre-Cleaner

| Outlet I.D. (C) | | Overall Height (A) | | Body Dia. (B) | | Part Number | Weight | |
|---------------------|-----|--------------------|-----|---------------|-----|-------------|--------|-----|
| in | mm | in | mm | in | mm | | lbs. | kg. |
| 3.07 | 78 | 9.39 | 238 | 9.51 | 242 | H002425 | 2.2 | 1.0 |
| 3.83 | 97 | 9.39 | 238 | 9.51 | 242 | H002426 | 2.2 | 1.0 |
| 4.06 | 103 | 9.39 | 238 | 9.51 | 242 | H002394 | 2.2 | 1.0 |
| 4.06 | 103 | 11.30 | 287 | 11.32 | 288 | H002431 | 2.7 | 1.2 |
| 4.56 | 116 | 9.39 | 238 | 9.51 | 242 | H002427 | 2.2 | 1.0 |
| 4.56 | 116 | 11.30 | 287 | 11.32 | 288 | H002432 | 2.7 | 1.2 |
| 5.03 | 128 | 11.30 | 287 | 11.32 | 288 | H002433 | 2.7 | 1.2 |
| COMING SOON! | | | | | | | | |
| 2.03 | 56 | 5.75 | 146 | 6.38 | 162 | H002434 | 1.0 | 0.4 |
| 2.27 | 58 | 5.75 | 146 | 6.38 | 162 | H002435 | 1.0 | 0.4 |
| 2.53 | 64 | 5.75 | 146 | 6.38 | 162 | H002436 | 1.0 | 0.4 |
| 3.03 | 77 | 5.75 | 146 | 6.38 | 162 | H002437 | 1.0 | 0.4 |
| 6.03 | 153 | 13.57 | 345 | 15.62 | 297 | H002438 | 6.0 | 2.7 |
| 7.03 | 179 | 13.57 | 345 | 15.62 | 297 | H002439 | 6.0 | 2.7 |

Cross reference from a full view pre-cleaner to a TopSpin pre-cleaner is on page 88.

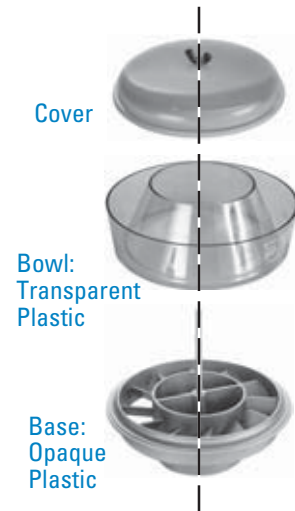
Full-View Pre-Cleaner

Helps Extend Filter Life on Agricultural & Construction Equipment

STOP!

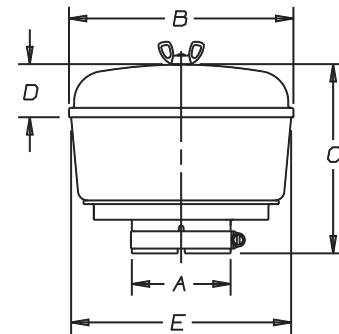
Donaldson has a new pre-cleaner called TopSpin. Before you consider replacing your full-view pre-cleaner with another one, check out the TopSpin models on the previous two pages.

| Full-View Pre-Cleaner | TopSpin Pre-Cleaner |
|-----------------------|---------------------|
| H000820 | H002425 |
| H000821 | H002426 |
| H000858 | H002394 |
| H000823 | H002427 |
| H001250 | H002435 |
| H001251 | H002436 |
| H001249 | H002437 |
| H001823 | H002434 |
| H002043 | H002433 |
| H002044 | H002432 |
| H002045 | H002431 |
| H002223 | H002438 |
| H002224 | H002439 |



Features

- Recommended mounting: on top of the engine intake stack
- Centrifugal force in bowl separates up to 75% of incoming dust before it enters the engine air intake system
- Low maintenance!
- Durable, lightweight, noncorrosive construction
- Full-view plastic bowl lets operator easily see when service is needed
- One-bolt cover retention for service when dirt reaches the level of the arrow, remove top nut and plastic body then empty – no tools required
- Mounting clamp included



Full-View Pre-Cleaners Specifications

| Inlet (ID/OD) | | ---- B ---- | | ---- C ---- | | ---- D ---- | | ---- E ---- | | Weight | | Entire F.V. Pre-Cleaner | Replacement Cover | Replacement Bowl | Max. airflow CFM |
|-------------------|-----|-------------|-----|-------------|-----|-------------|----|-------------|-----|--------|-----|-------------------------|-------------------|------------------|------------------|
| in | mm | in | mm | in | mm | in | mm | in | mm | lbs | kg | | | | |
| 1.75 | 44 | 5.59 | 142 | 4.75 | 121 | 1.72 | 44 | 5.50 | 140 | 1.8 | 0.8 | H002042 | P020116 | P020115 | 80 |
| 2.00 | 51 | 5.59 | 142 | 4.75 | 121 | 1.72 | 44 | 5.50 | 140 | 1.5 | 0.7 | H002040 | P020116 | P020115 | 90 |
| 2.00 ¹ | 51 | 7.34 | 186 | 6.19 | 157 | 1.72 | 44 | 7.25 | 184 | 1.7 | 0.8 | H001823 | P020648 | P020227 | 110 |
| 2.25 | 57 | 7.34 | 186 | 6.19 | 157 | 1.72 | 44 | 7.25 | 184 | 1.7 | 0.8 | H001250 | P020648 | P020227 | 130 |
| 2.50 | 64 | 7.34 | 186 | 6.19 | 157 | 1.72 | 44 | 7.25 | 184 | 1.7 | 0.8 | H001251 | P020648 | P020227 | 150 |
| 3.00 | 76 | 7.34 | 186 | 6.19 | 157 | 1.72 | 44 | 7.25 | 184 | 1.6 | 0.7 | H001249 | P020648 | P020227 | 170 |
| 3.00 ¹ | 76 | 10.63 | 270 | 7.66 | 195 | 1.84 | 47 | 10.50 | 267 | 4.9 | 2.2 | H000820 | P016548 | P016330 | 320 |
| 3.75 | 95 | 10.63 | 270 | 7.66 | 195 | 1.84 | 47 | 10.50 | 267 | 4.9 | 2.2 | H000821 | P016548 | P016330 | 330 |
| 4.00 | 102 | 10.63 | 270 | 7.66 | 195 | 1.84 | 47 | 10.50 | 267 | 4.9 | 2.2 | H000858 | P016548 | P016330 | 340 |
| 4.00 ¹ | 102 | 12.06 | 306 | 8.19 | 208 | 2.00 | 51 | 11.94 | 303 | 6.4 | 2.9 | H002045 | P020345 | P020344 | 660 |
| 4.50 | 114 | 10.63 | 270 | 7.66 | 195 | 1.84 | 47 | 10.50 | 267 | 4.8 | 2.2 | H000823 | P016548 | P016330 | 340 |
| 4.50 ¹ | 114 | 12.06 | 306 | 8.19 | 208 | 2.00 | 51 | 11.94 | 303 | 6.3 | 2.9 | H002044 | P020345 | P020344 | 700 |
| 5.00 | 127 | 12.06 | 306 | 7.69 | 195 | 2.00 | 51 | 11.94 | 303 | 6.2 | 2.9 | H002043 | P020345 | P020344 | 740 |
| 6.00 | 152 | 16.25 | 413 | 10.00 | 254 | 2.81 | 71 | 15.94 | 405 | 13.4 | 6.1 | H002223 | P104691 | P158324 | 1300 |
| 7.00 | 178 | 16.25 | 413 | 10.00 | 254 | 2.81 | 71 | 15.94 | 405 | 13.4 | 6.1 | H002224 | P104691 | P158324 | 1500 |

1 - Heavy Duty Option