

Mitsubishi Triton 2WD ML MN 2.5L DI-D 4D56 100kW

OS-PROV-05-2WD



MANN Provent 200 IV Oil Catch Can Kit Install Guide

CAUTION: ** Ensure the engine is OFF & COOL before installation ! **

STEP 1: See Install Area and remove engine cover.

STEP 2: Adjust Provent ports to displayed position. Fit Drain Hose to the base of the Provent Unit - Tighten hose clamp. Ensure Tap is closed.

STEP 3: Attach the Provent unit to the Bracket and mount within the engine bay using the existing OEM nut & bolt.

STEP 4: Feed the Drain Hose down between the inner guard and chassis rail. Clamp tightly. **** Ensure Hose Tap is in horizontal CLOSED position.**



STEP 1:



STEP 2:



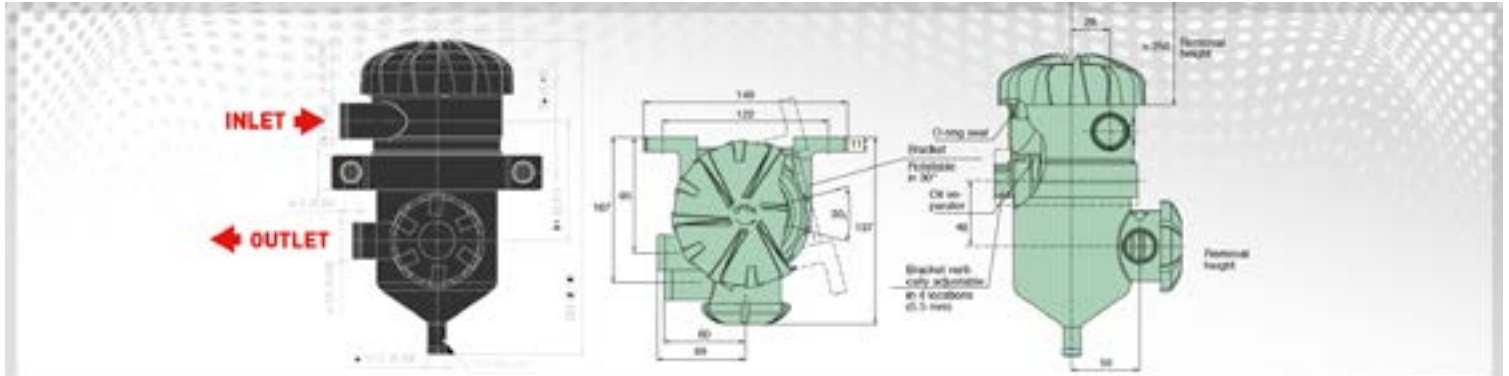
STEP 3:



STEP 4:

Mitsubishi Triton 2WD ML MN 2.5L DI-D 4D56 100kW

OS-PROV-05-2WD



WARNING: Engine damage will occur if incorrectly connected. Please follow Installation Guide

- STEP 6:** Remove the OEM Breather Hose from the Top of the Crankcase.
- STEP 7:** Add Kit Hoses to the Provent Unit, clamp and tighten.
- STEP 8:** Fit Provent's Lower Hose (Blue) to the Breather hose to the Air Inlet. Connect Provent's Top Hose (gold) to the to the Crankcase Outlet. Secure all hoses with supplied clamps. Tighten
- STEP 9:** Secure with clamps & re-fit Plastic Engine Cover.

View Install Slide Presentation: [SCAN QR-CODE \(page.1\)](#)



STEP 6:



STEP 7:



STEP 8:



STEP 9: